



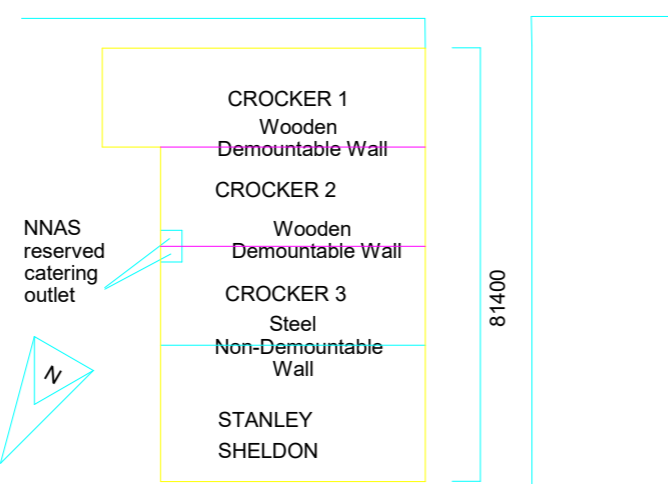
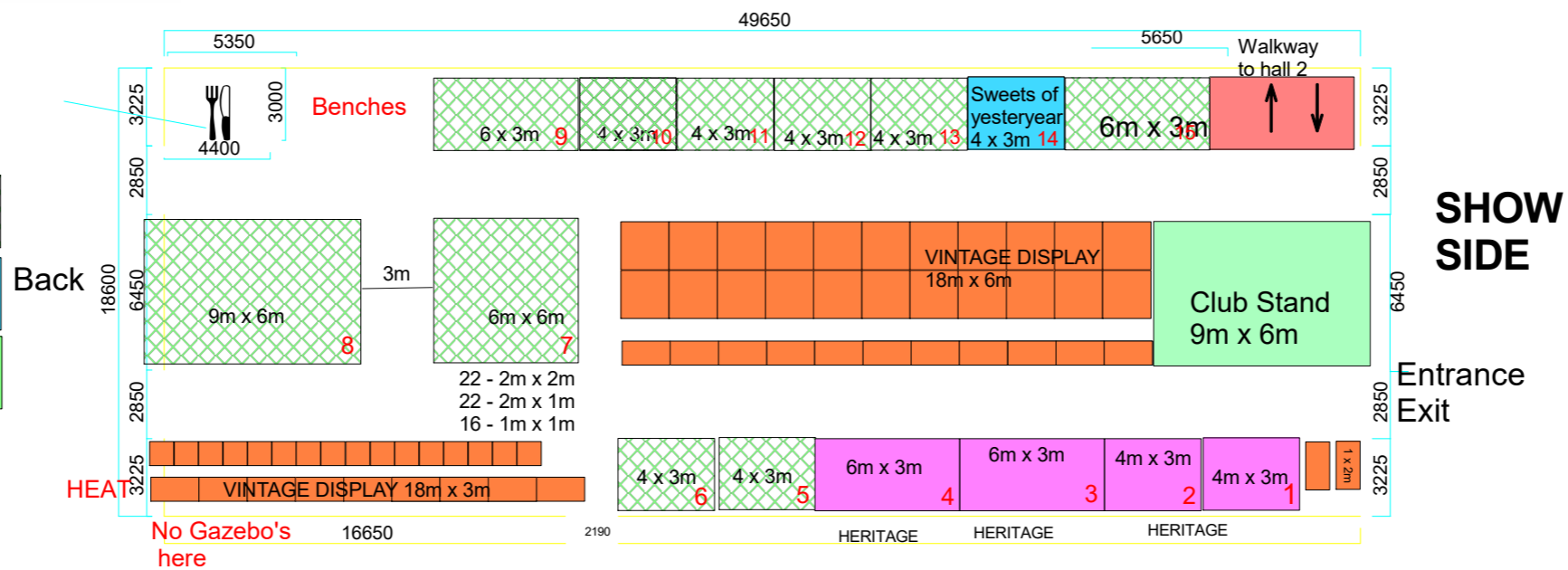
John Crocker Hall 3

7 & 8 November 2026

Stand Numbers: JCH3 ___

Wooden Demountable Internal Wall
Adjoining Crocker 2

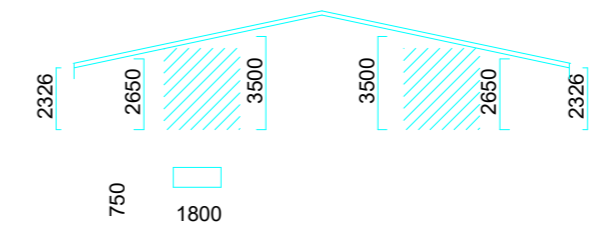
Available
Reserved
Sold



KEY TO SYMBOLS

DOUBLE SOCKET
TUBE LIGHT
CEILING MOUNTED SOCKET
RIF POINT
FUSE BOARD

HEIGHT CLEARANCES



Newark & Nottingham Agricultural Society
The Showground, Winthorpe, Newark, Nottinghamshire. NG 24 2NY.

SCHEMATIC DRAWING OF AVAILABLE AREA.

Scale: 1:200 Date compiled: 24 October 2000
All measurements are internal usable area.

